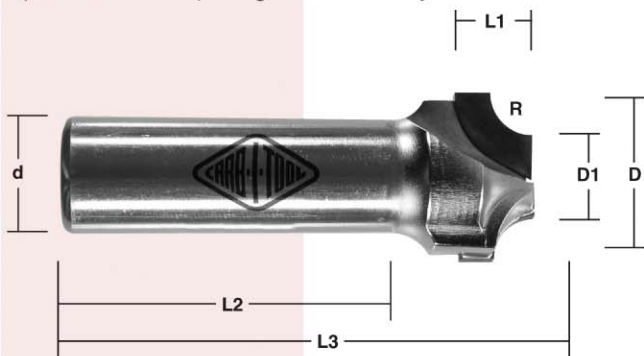


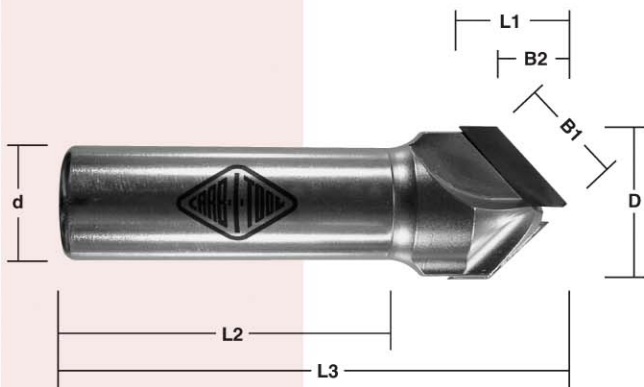
### PROFILE BITS

As well as the standard range of bits below, custom made bits can also be manufactured. Please provide specifications for pricing and availability.



### ROUNDING OVER BITS

PART No.	D	D1	R	L1	d	L2	L3
	mm	mm	mm	mm	mm	mm	mm
DIAT RO 6MR 16	24	12	6	11	16	45	50
DIAT RO 10MR 16	32	12	10	15	16	45	70
DIAT RO 12MR 16	36	12	12	17	16	45	72

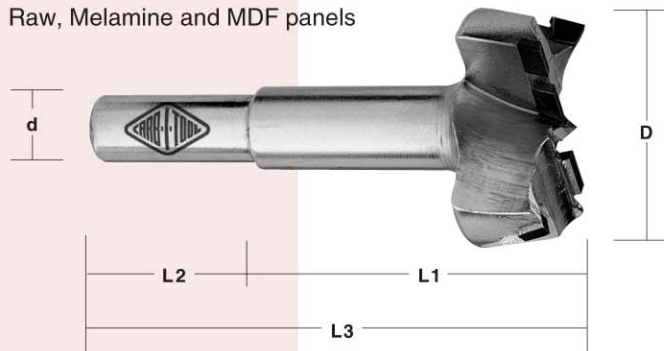


### VEE GROOVE/CHAMFER BIT

PART No.	D	Angle	B1	B2	L1	d	L2	L3
	mm	mm	mm	mm	mm	mm	mm	mm
DIAT VGC 45D 16	22.63	45°	16	11.31	16.31	16	45	71.3

### HINGE BORING DRILLS

Hinge boring Drills (10mm shank with flat)  
For use on point-to-point boring and line machines  
Raw, Melamine and MDF panels

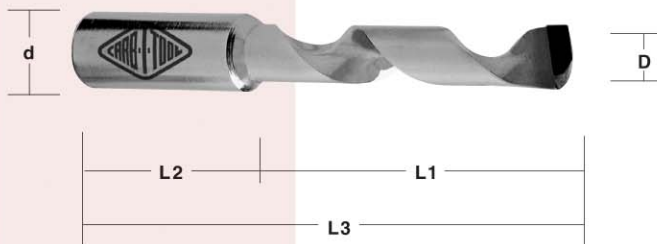


Part No.(right hand)	Part No.(left hand)	D	L1	d	L2	L3	Z
DIAT WD 15 R 57	DIAT WD 15 L 57	15	32	10	25	57	4
DIAT WD 30 R 57	DIAT WD 30 L 57	30	32	10	25	57	4
DIAT WD 30 R 70	DIAT WD 30 L 70	30	45	10	25	70	4
DIAT WD 35 R 57	DIAT WD 35 L 57	35	32	10	25	57	4
DIAT WD 35 R 70	DIAT WD 35 L 70	35	45	10	25	70	4
DIAT WD 40 R 57	DIAT WD 40 L 57	40	32	10	25	57	4
DIAT WD 40 R 70	DIAT WD 40 L 70	40	45	10	25	70	4

For Carbide Hinge Boring Drills, see page 46

### WOOD DRILLS

Wood boring Drills - Flat bottom (10mm shank with flat)  
For use on point-to-point boring and multi spindle machines  
Raw, Melamine and MDF panels

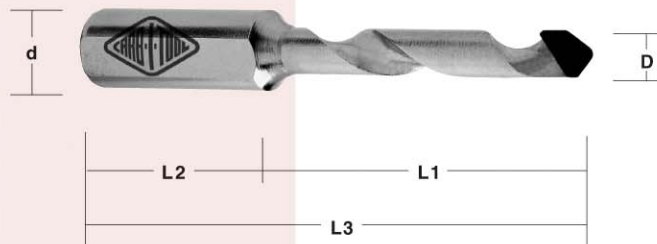


Part No.(right hand)	Part No.(left hand)	D	L1	d	L2	L3	Z
DIAT WD 5 R 57	DIAT WD 5 L 57	5	32	10	25	57	1
DIAT WD 5 R 70	DIAT WD 5 L 70	5	45	10	25	70	1
DIAT WD 6 R 57	DIAT WD 6 L 57	6	32	10	25	57	1
DIAT WD 6 R 70	DIAT WD 6 L 70	6	45	10	25	70	1
DIAT WD 8 R 57	DIAT WD 8 L 57	8	32	10	25	57	1
DIAT WD 8 R 70	DIAT WD 8 L 70	8	45	10	25	70	1
DIAT WD 10 R 57	DIAT WD 10 L 57	10	32	10	25	57	1
DIAT WD 10 R 70	DIAT WD 10 L 70	10	45	10	25	70	1

For Carbide Tipped Wood Boring Drills, see page 46

### WOOD DRILLS

Through Drills (10mm shank with flat)  
For multi-spindle machines  
Makes through holes in Raw, Melamine and MDF panels



Part No.(right hand)	Part No.(left hand)	D	L1	d	L2	L3	Z
DIAT WDT 5 R 57	DIAT WDT 5 L 57	5	32	10	25	57	1
DIAT WDT 5 R 70	DIAT WDT 5 L 70	5	45	10	25	70	1
DIAT WDT 6 R 57	DIAT WDT 6 L 57	6	32	10	25	57	1
DIAT WDT 6 R 70	DIAT WDT 6 L 70	6	45	10	25	70	1
DIAT WDT 8 R 57	DIAT WDT 8 L 57	8	32	10	25	57	1
DIAT WDT 8 R 70	DIAT WDT 8 L 70	8	45	10	25	70	1
DIAT WDT 10 R 57	DIAT WDT 10 L 57	10	32	10	25	57	1
DIAT WDT 10 R 70	DIAT WDT 10 L 70	10	45	10	25	70	1

For Carbide Tipped Through Drills, see page 46

A full range of Diamond Tipped (PCD) Sawblades, Scorers, Hogging Units, Anti-Chip Finishing Tool Heads and Grooving Cutter Blocks is available on request.

