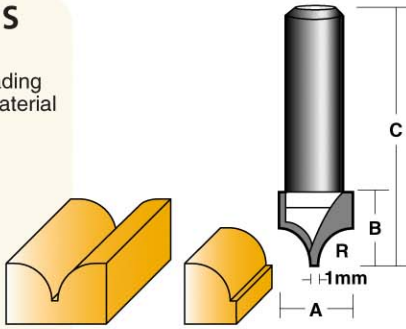


BEADING BITS FINE POINT

This bit produces a beading on the surface of the material coming to a fine point.

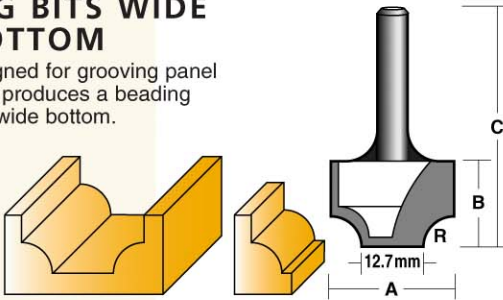


CARBIDE TIPPED - TWO FLUTES
SUFFIX 1/2 = 1/2" SHANK, OTHERWISE 1/4"

PART No.	A		B		C		R RADIUS	
	in.	mm	in.	mm	in.	mm	in.	mm
TBF 4	.290	7.4	3/8	9.5	1-3/4	44.4	1/8	3.2
TBF 4 1/2	.290	7.4	3/8	9.5	2-5/8	67	1/8	3.2
TBF 8	-	13.7	1/2	12.7	1-3/4	44.4	1/4	6.35
TBF 8 1/2	-	13.7	1/2	12.7	2-5/8	67	1/4	6.35

BEADING BITS WIDE FLAT BOTTOM

Specially designed for grooving panel doors. This bit produces a beading groove with a wide bottom.

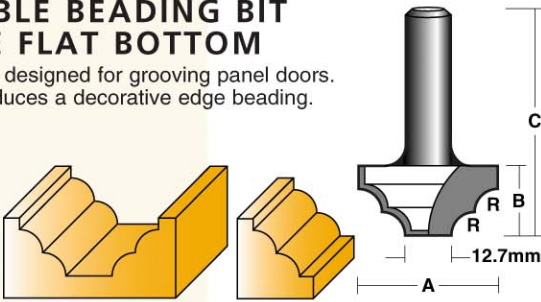


CARBIDE TIPPED - TWO FLUTES
SUFFIX 1/2 = 1/2" SHANK, OTHERWISE 1/4"

PART No.	A		B		C		R RADIUS	
	in.	mm	in.	mm	in.	mm	in.	mm
TBW 4	3/4	19	7/16	11.1	1-3/4	44.4	1/8	3.2
TBW 4 1/2	3/4	19	7/16	11.1	2-1/4	57.1	1/8	3.2
TBW 8	1	25.4	3/4	19	2-3/8	50.8	1/4	6.35
TBW 8 1/2	1	25.4	3/4	19	2-3/8	60	1/4	6.35

DOUBLE BEADING BIT WIDE FLAT BOTTOM

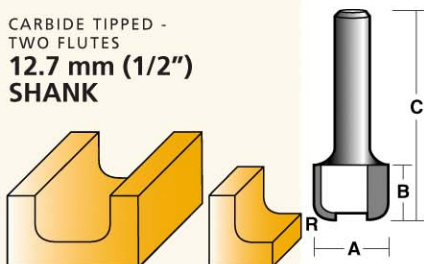
Specially designed for grooving panel doors. Also produces a decorative edge beading.



CARBIDE TIPPED - TWO FLUTES
SUFFIX 1/2 = 1/2" SHANK, OTHERWISE 1/4"

PART No.	A		B		C		R RADIUS	
	in.	mm	in.	mm	in.	mm	in.	mm
TBD 4	1	25.4	7/16	11.1	1-3/4	44.4	1/8	3.2
TBD 4 1/2	1	25.4	7/16	11.1	2-1/4	57.1	1/8	3.2
TBD 8 1/2	1-1/2	38.1	3/4	19	2-1/2	63.5	1/4	6.35

CARBIDE TIPPED - TWO FLUTES
12.7 mm (1/2") SHANK



PART No.	A	B	C	R RADIUS
	mm	mm	mm	mm
TD 706 1/2	19	19	64	4.75
TD 716 1/2	32	32	77	6.5

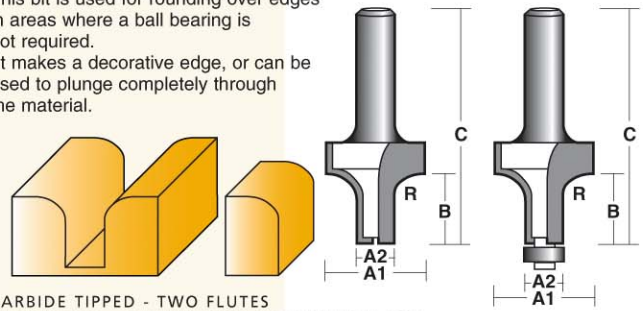
DISH CUT BITS

These bits are used for routing trays, bowls, plates and boxes. They have a wide surface cut, to quickly remove excess material.

EXTENDED ROUNDING OVER BITS

This bit is used for rounding over edges in areas where a ball bearing is not required.

It makes a decorative edge, or can be used to plunge completely through the material.



CARBIDE TIPPED - TWO FLUTES
SUFFIX 1/2 = 1/2" SHANK, OTHERWISE 1/4"
NO BEARING

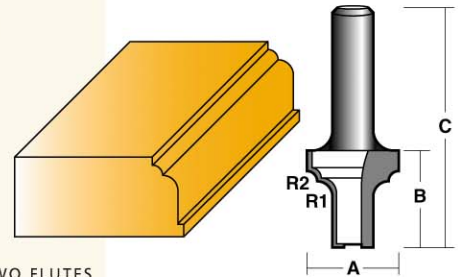
PART No.	A1	A2	B	C	R RADIUS
	mm	mm	mm	mm	mm
TX 506	20	10	16	53	5
TX 508	25	13	19	57	6
TX 508 1/2	25	13	19	71	6
TX 512 1/2	33	13	25	74	10
TX 516 1/2	39	13	25	80	13
TX 520 1/2	45	13	28.6	82	16
TX 524 1/2	51	13	31.8	90.8	19

WITH BEARING

TX 508 B 1/2	24.7	12.7	19	71	6
TX 512 B 1/2	32.7	12.7	25	74	10
TX 516 B 1/2	38.7	12.7	25	80	13

Replacement Ball Bearing TB11

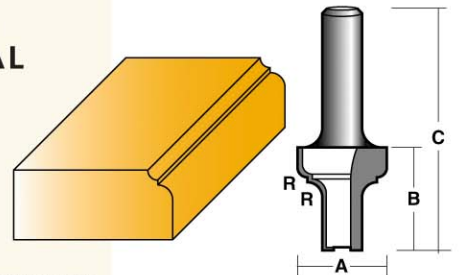
EXTENDED DOUBLE BEADING BITS



CARBIDE TIPPED - TWO FLUTES

PART No.	A		B		C		R1 RADIUS		R2 RADIUS	
	in.	mm	in.	mm	in.	mm	in.	mm	in.	mm
TBX 604 1/2	1	25.4	1-1/8	28.6	2-29/32	73.8	1/8	3.2	1/8	3.2
TBX 606 1/2	1-1/8	28.6	1-3/16	30.2	3	76.2	3/16	4.8	1/8	3.2

EXTENDED PROVINCIAL BITS

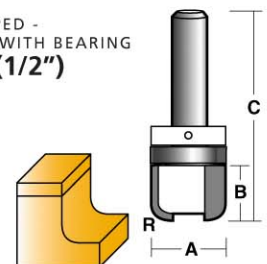


CARBIDE TIPPED - TWO FLUTES

PART No.	A		B		C		R1 RADIUS		R2 RADIUS	
	in.	mm	in.	mm	in.	mm	in.	mm	in.	mm
TCRX 8 1/2	1	25.4	1-15/64	31.3	3	76.2	1/8	3.2	1/8	3.2
TCRX 12 1/2	1-1/8	28.6	1-19/64	32.9	3-7/64	79.0	3/16	4.8	1/8	3.2

CARBIDE TIPPED - TWO FLUTES WITH BEARING
12.7 mm (1/2") SHANK

NEW



PART No.	A	B	C	R RADIUS	BEARING No.
	mm	mm	mm	mm	
TD 706 B 1/2	19	19	76.8	4.75	TB4
TD 712 B 1/2	28.6	32	89.9	6	TB18

