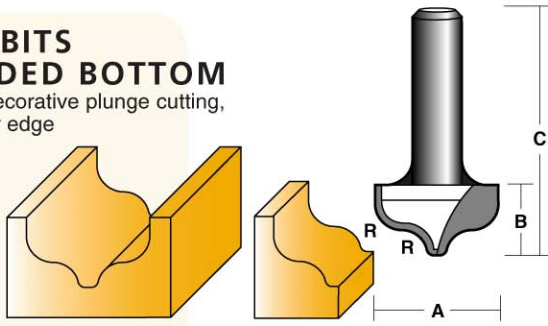


**OGEE BITS
ROUNDED BOTTOM**

Used for decorative plunge cutting, grooving or edge forming.



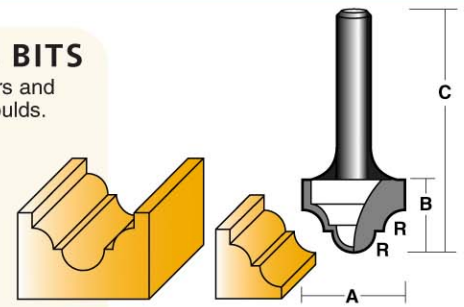
CARBIDE TIPPED - TWO FLUTES

SUFFIX 1/2 = 1/2" SHANK, OTHERWISE 1/4"

| PART No. | A | | B | | C | | R RADIUS | |
|-------------|-------|------|------|------|-------|------|----------|------|
| | in. | mm | in. | mm | in. | mm | in. | mm |
| TR 7506 | .937 | 23.7 | .580 | 14.7 | 1-7/8 | 47 | 3/16 | 4.7 |
| TR 7506-1/2 | .937 | 23.7 | .580 | 14.7 | 2-1/2 | 63.5 | 3/16 | 4.7 |
| TR 7509 | 1-1/4 | 32 | .700 | 17.7 | 1-7/8 | 47 | 1/4 | 6.35 |
| TR 7509-1/2 | 1-1/4 | 32 | .700 | 17.7 | 2-1/2 | 63.5 | 1/4 | 6.35 |

CLASSICAL BITS

Used for panel doors and decorative edge moulds.



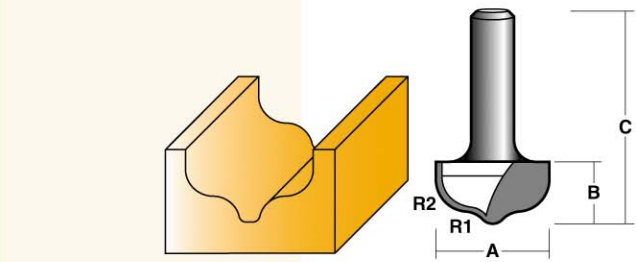
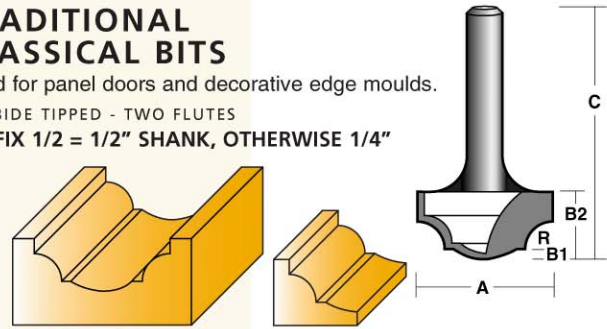
CARBIDE TIPPED - TWO FLUTES
SUFFIX 1/2 = 1/2" SHANK, OTHERWISE 1/4"

| PART No. | A | | B | | C | | R RADIUS | |
|-----------|--------|------|------|------|--------|------|----------|------|
| | in. | mm | in. | mm | in. | mm | in. | mm |
| TC 6 | 1/2 | 12.7 | 1/2 | 12.7 | 1-3/4 | 44.4 | 3/32 | 2.4 |
| TC 6 1/2 | 1/2 | 12.7 | 1/2 | 12.7 | 2-1/2 | 63.5 | 3/32 | 2.4 |
| TC 10 | .760 | 19.2 | 9/16 | 14.3 | 1-3/4 | 44.4 | 5/32 | 4 |
| TC 10 1/2 | .760 | 19.2 | 9/16 | 14.3 | 2-5/16 | 58.6 | 5/32 | 4 |
| TC 12 1/2 | 57/64 | 22.6 | 5/8 | 15.9 | 2-1/2 | 63.5 | 3/16 | 4.8 |
| TC 16 1/2 | 1-5/32 | 29.2 | 3/4 | 19 | 2-1/2 | 63.5 | 1/4 | 6.35 |

TRADITIONAL CLASSICAL BITS

Used for panel doors and decorative edge moulds.

CARBIDE TIPPED - TWO FLUTES
SUFFIX 1/2 = 1/2" SHANK, OTHERWISE 1/4"

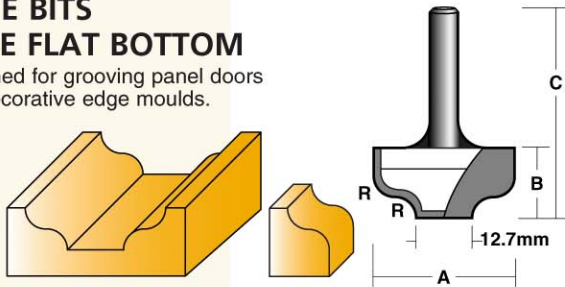


| PART No. | A | | B | | C | | R1 RADIUS | | R2 RADIUS | |
|--------------|-----|------|-------|------|---------|------|-----------|-----|-----------|-----|
| | in. | mm | in. | mm | in. | mm | in. | mm | in. | mm |
| TRS 7506 1/2 | 1 | 25.4 | 19/32 | 15.1 | 2-25/64 | 60.7 | 5/16 | 7.9 | 3/16 | 4.8 |
| TRS 7509 1/2 | - | 33.5 | 23/32 | 18.3 | 2-25/64 | 61.0 | 5/16 | 7.9 | 3/8 | 9.5 |

| PART No. | A | | B1 | | B2 | | C | | R RADIUS | |
|------------|-------|------|-------|-----|-----|------|-------|------|----------|------|
| | in. | mm | in. | mm | in. | mm | in. | mm | in. | mm |
| TTC 8 | 11/16 | 17.4 | 0.070 | 1.8 | 1/2 | 12.7 | 1-3/4 | 44.4 | 1/8 | 3.2 |
| TTC 8 1/2 | 11/16 | 17.4 | 0.070 | 1.8 | 1/2 | 12.7 | 2-1/4 | 57.1 | 1/8 | 3.2 |
| TTC 12 | .925 | 23.5 | 0.070 | 1.8 | 1/2 | 12.7 | 1-3/4 | 44.4 | 3/16 | 4.8 |
| TTC 12 1/2 | .925 | 23.5 | 0.070 | 1.8 | 1/2 | 12.7 | 2-1/4 | 57.1 | 3/16 | 4.8 |
| TTC 16 1/2 | 1.160 | 29.5 | 1/8 | 3.2 | 5/8 | 16 | 2-1/4 | 57.1 | 1/4 | 6.35 |

**OGEE BITS
WIDE FLAT BOTTOM**

Designed for grooving panel doors and decorative edge moulds.



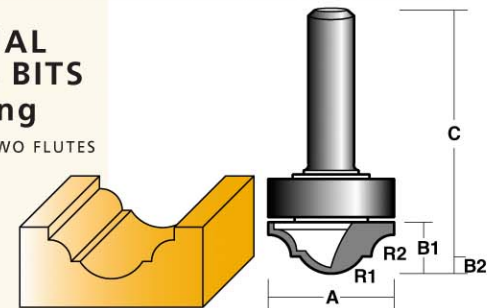
CARBIDE TIPPED - TWO FLUTES

SUFFIX 1/2 = 1/2" SHANK, OTHERWISE 1/4"

| PART No. | A | | B | | C | | R RADIUS | |
|-------------|-------|------|-----|------|-------|------|----------|------|
| | in. | mm | in. | mm | in. | mm | in. | mm |
| TW 7506 | 1-1/4 | 31.8 | 5/8 | 15.9 | 1-7/8 | 47 | 3/16 | 4.8 |
| TW 7506 1/2 | 1-1/4 | 31.8 | 5/8 | 15.9 | 2-1/2 | 63.5 | 3/16 | 4.8 |
| TW 7509 | 1-1/2 | 38.1 | 3/4 | 19 | 2 | 50.8 | 1/4 | 6.35 |
| TW 7509 1/2 | 1-1/2 | 38.1 | 3/4 | 19 | 2-1/2 | 63.5 | 1/4 | 6.35 |

TRADITIONAL CLASSICAL BITS with bearing

CARBIDE TIPPED - TWO FLUTES

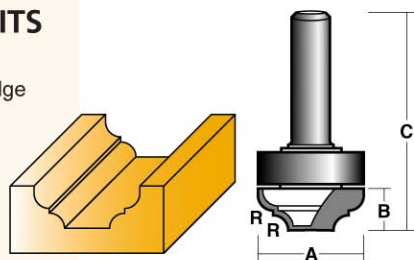


| PART No. | A | | B1 | | B2 | | C | | R1 | | R2 | |
|--------------|------|------|-----|------|-----|----|------|-----|----|----|----|--|
| | mm | mm | mm | mm | mm | mm | mm | mm | mm | mm | mm | |
| TTCC 4 B | 22.0 | 12.7 | 4.8 | 54 | 5.5 | 4 | 10.3 | 5.9 | | | | |
| TTCC 6 B 1/2 | 35.0 | 14.3 | 4.8 | 73.0 | | | | | | | | |

Replacement Bearings 1/4 "-TB12, 1/2" -TB21

PROVINCIAL BITS with bearing

Used for decorative edge and face moulds.



CARBIDE TIPPED - TWO FLUTES

| PART No. | A | | B | | C | | R RADIUS | |
|--------------|-------|------|-------|------|---------|------|----------|-----|
| | in. | mm | in. | mm | in. | mm | in. | mm |
| TCRR 3 B | - | 22.0 | 25/64 | 10.0 | 2 | 50.8 | 1/8 | 3.2 |
| TCRR 5 B 1/2 | 1-3/8 | 35.0 | 35/64 | 14.0 | 2-45/64 | 68.7 | - | 5.0 |

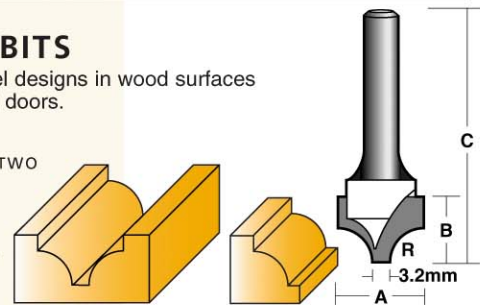
Replacement Bearings 1/4 "-TB12, 1/2" -TB21

BEADING BITS

For grooving panel designs in wood surfaces such as cupboard doors.

CARBIDE TIPPED - TWO FLUTES

SUFFIX 1/2 = 1/2" SHANK, OTHERWISE 1/4"



| PART No. | A | | B | | C | | R RADIUS | |
|-----------|-----|------|-----|------|-------|------|----------|------|
| | in. | mm | in. | mm | in. | mm | in. | mm |
| TBB 4 | 3/8 | 9.5 | 3/8 | 9.5 | 1-3/4 | 44.4 | 1/8 | 3.2 |
| TBB 4 1/2 | 3/8 | 9.5 | 3/8 | 9.5 | 2-1/4 | 57.1 | 1/8 | 3.2 |
| TBB 8 | 5/8 | 15.9 | 1/2 | 12.7 | 1-3/4 | 44.4 | 1/4 | 6.35 |
| TBB 8 1/2 | 5/8 | 15.9 | 1/2 | 12.7 | 2-1/4 | 57.1 | 1/4 | 6.35 |

