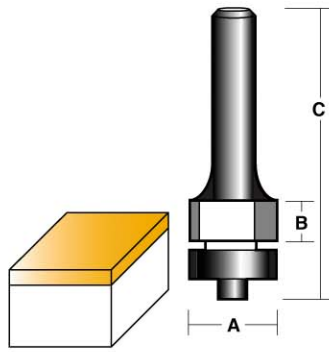


HANDYMAN RANGE - 2 Flutes

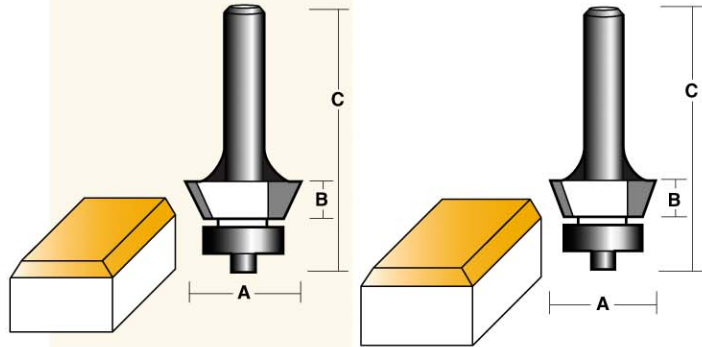
An effective range of trimming bits ideal for small routers.

CARBIDE TIPPED - TWO FLUTES WITH BALL BEARING GUIDE
6.35 mm (1/4") SHANK



PART No.	A		B		C	
	in.	mm	in.	mm	in.	mm
T 192.00 B	1/2	12.7	1/4	6.35	1-3/4	44.4

Replacement Ball Bearing TB11



22° BEVEL TRIMMING BIT

30° BEVEL TRIMMING BIT

CARBIDE TIPPED - TWO FLUTES WITH BALL BEARING GUIDE
6.35 mm (1/4") SHANK

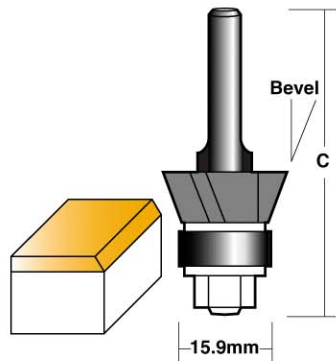
PART No.	A		B		C	
	in.	mm	in.	mm	in.	mm
T 192.22 B	0.697	17.7	1/4	6.35	1-3/4	44.4
T 192.30 B	0.784	19.3	1/4	6.35	1-3/4	44.4

Replacement Ball Bearing TB11

PROFESSIONAL RANGE - 3 Flutes

For extra smooth trimming. Assembly includes 3 flute cutter, bearing, arbor, spacers and nut.

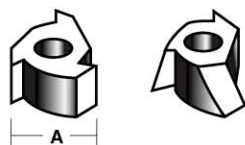
FLUSH AND BEVEL TRIMMING ASSEMBLIES
SOLID CARBIDE - THREE FLUTES WITH BALL BEARING GUIDE
6.35 mm (1/4") SHANK



PART No.	BEVEL	Arbor No.	C	
			in.	mm
TA 193.00 B	Flush	TA 9	2-3/8	60
TA 193.22 B	22°	TA 9	2-3/8	60

Replacement Ball Bearing TB14
For oversize Bearing use TB16

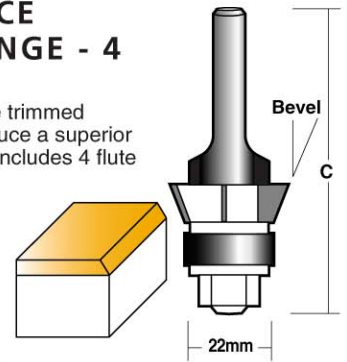
REPLACEMENT TRIMMING CUTTERS
SOLID CARBIDE - THREE FLUTES
6.35 mm (1/4") BORE



PART No.	BEVEL	A	
		in.	mm
T 193.00	Flush	5/8	15.9
T 193.22	22°	7/8	22.2

HIGH PERFORMANCE PROFESSIONAL RANGE - 4 Flutes

These tools produce a chatter-free trimmed edge. At high feed rates they produce a superior finish to any other tool. Assembly includes 4 flute cutter, arbor (1/4" or 1/2" shank), bearing, nut and washer.



FLUSH AND BEVEL TRIMMING ASSEMBLIES
CARBIDE TIPPED - FOUR FLUTES WITH BALL BEARING GUIDE
SUFFIX 1/2 = 1/2" SHANK, OTHERWISE 1/4"

PART No.	BEVEL	Arbor No.	C	
			in.	mm
TA 194.00 B	Flush	TA 1	2-1/2	63.5
TA 194.00 B 1/2	Flush	TA 3	2-1/2	63.5
TA 194.15 B	15°	TA 1	2-1/2	63.5
TA 194.15 B 1/2	15°	TA 3	2-1/2	63.5
TA 194.25 B	25°	TA 1	2-1/2	63.5
TA 194.25 B 1/2	25°	TA 3	2-1/2	63.5
TA 194.45 B	45°	TA 1	2-1/2	63.5
TA 194.45 B 1/2	45°	TA 3	2-1/2	63.5

Replacement Ball Bearing TB12
For oversize Bearing use TB13

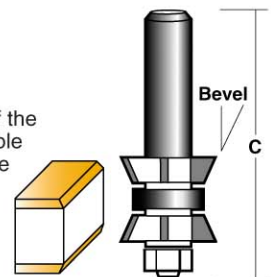
REPLACEMENT TRIMMING CUTTERS
CARBIDE TIPPED - FOUR FLUTES
8 mm (5/16") BORE



PART No.	BEVEL	A	
		in.	mm
T 194.00	Flush	.866	22
T 194.15	15°	1	25.4
T 194.25	25°	1-1/8	28.6
T 194.45	45°	1-3/8	35

DOUBLE FLUSH AND BEVEL TRIMMING ASSEMBLIES

A time saving bit that will trim both sides of the board in one pass. Washers provided enable cutters to be separated the correct distance to suit thickness of board to be trimmed.



CARBIDE TIPPED - FOUR FLUTES WITH BALL BEARING GUIDE
SUFFIX 1/2 = 1/2" SHANK, OTHERWISE 1/4"

PART No.	BEVEL	Arbor No.	C	
			in.	mm
TDA 194.00 B	FLUSH	TA 13	3	76
TDA 194.00 B 1/2	FLUSH	TA 14	3-1/4	82
TDA 194.15 B	15°	TA 13	3	76
TDA 194.15 B 1/2	15°	TA 14	3-1/4	82
TDA 194.25 B	25°	TA 13	3	76
TDA 194.25 B 1/2	25°	TA 14	3-1/4	82
TDA 194.45 B	45°	TA 13	3	76
TDA 194.45 B 1/2	45°	TA 14	3-1/4	82

Replacement Ball Bearing TB12

REPLACEMENT LEFT HAND TRIMMING CUTTERS
8 mm (5/16") BORE



PART No.	BEVEL	A	
		in.	mm
T 194.15 LH	15°	1	25.4
T 194.25 LH	25°	1-1/8	28.6
T 194.45 LH	45°	1-3/8	35

