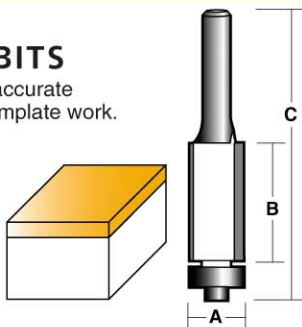


LAMINATE TRIM BITS & CUTTERS

FLUSH TRIMMING BITS

A popular bit for fast smooth and accurate trimming cuts for laminates and template work.

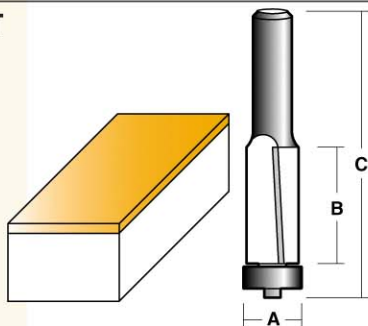


CARBIDE TIPPED - TWO FLUTE WITH BALL BEARING GUIDE
SUFFIX 1/2 = 1/2" SHANK, OTHERWISE 1/4"

PART No.	A		B		C		Bearing No.
	in.	mm	in.	mm	in.	mm	
T 8008 B	1/4	6.35	1	25.4	2-3/8	60	TB 6
T 8012 B	3/8	9.5	1	25.4	2-5/8	63.5	TB 9
TS 8012 B	3/8	9.5	1/2	12.7	1-57/64	48	TB 9
TS 8016 B	1/2	12.7	5/8	15.9	2-1/4	57.1	TB 11
T 8016 B	1/2	12.7	1	25.4	2-1/2	67	TB 11
T 8016 B 1/2	1/2	12.7	1	25.4	3-1/8	79	TB 11
TX 8016 B 1/2	1/2	12.7	1-1/2	38.1	3-3/8	86	TB 11
TXX 8016 B 1/2	1/2	12.7	2	50.8	3-7/8	98	TB 11
T 8020 B	5/8	15.9	1	25.4	2-5/8	67	TB 14
T 8020 B 1/2	5/8	15.9	1	25.4	3-1/8	79	TB 14
T 8028 B 1/2	0.866	22	1	25.4	3-3/8	86	TB 12
TX 8028 B 1/2	0.866	22	1-1/2	38.1	3-3/4	95	TB 12

FLUSH TRIM BIT WITH DOWN SHEAR

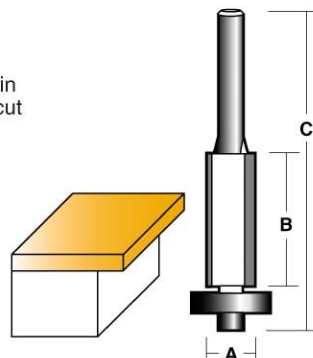
CARBIDE TIPPED
For minimal chipping and superior finish.



PART No.	A		B		C		Bearing No.
	in.	mm	in.	mm	in.	mm	
TSH 8024 B 1/2	3/4	19.0	1-1/2	38.1	3-39/64	91.7	TB 16
TSHX 8024 B 1/2	3/4	19.0	1-61/64	50.0	4	101.6	TB 16

OVERHANG TRIMMING BIT

This bit will leave a 1/8" overhang in order that the final flush trimming cut is a light one for the smoothest possible finish.



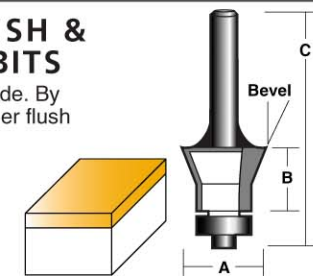
CARBIDE TIPPED - TWO FLUTES WITH BALL BEARING GUIDE
6.35 mm (1/4") SHANK

PART No.	A		B		C	
	in.	mm	in.	mm	in.	mm
TO 8012 B	3/8	9.5	1	25.4	2-3/4	70

Replacement Ball Bearing TB8

COMBINATION FLUSH & BEVEL TRIMMING BITS

A versatile bit with ball bearing guide. By adjusting the depth this bit will either flush trim or bevel trim.

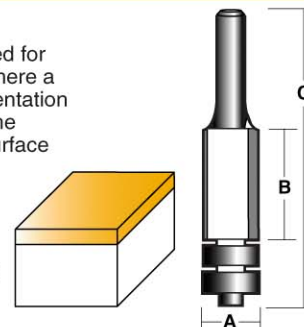


CARBIDE TIPPED - TWO FLUTES WITH BALL BEARING GUIDE
6.35 mm (1/4") SHANK

PART No.	A		B		C		BEVEL
	in.	mm	in.	mm	in.	mm	
T 9122 B	3/4	19	0.580	14.7	2-3/16	55	22°
T 9130 B	7/8	22.2	0.580	14.7	2-3/16	55	30°

Replacement Ball Bearing TB11

This bit has been specially designed for template work in softer timbers. Where a single bearing might create an indentation on the timber, this bit has double the surface area to ensure template surface is not damaged.



CARBIDE TIPPED - TWO FLUTE WITH DOUBLE BALL BEARING GUIDE
SUFFIX 1/2 = 1/2" SHANK, OTHERWISE 1/4"

PART No.	A		B		C		Bearing No.
	in.	mm	in.	mm	in.	mm	
T 8012 BB	3/8	9.5	1	25.4	2-3/4	70	TB 9
TS 8012 BB	3/8	9.5	1/2	12.7	2-9/64	54.5	TB 9
TS 8016 BB	1/2	12.7	5/8	15.9	2-3/8	60	TB 11
T 8016 BB	1/2	12.7	1	25.4	2-3/4	70	TB 11
T 8016 BB 1/2	1/2	12.7	1	25.4	3-3/8	86	TB 11
TX8016 BB 1/2	1/2	12.7	1-1/2	38.1	3-7/8	98	TB 11
TXX8016 BB 1/2	1/2	12.7	2	50.8	4-1/4	108	TB 11
T 8020 BB	5/8	15.9	1	25.4	3	76	TB 14
T 8020 BB 1/2	5/8	15.9	1	25.4	3-3/8	86	TB 14
T 8028 BB 1/2	0.866	22	1	25.4	3-1/2	89	TB 12
TX 8028 BB 1/2	0.866	22	1-1/2	38.1	3-15/16	100	TB 12

SPIRAL FLUTE BIT - WITH BEARING

SOLID CARBIDE
Ideal for template work where a superior finish is required.



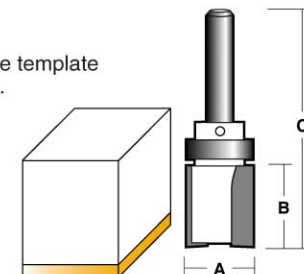
UP CUT DOWN CUT

PART No.	PART No.	A		B		C		Bearing No.
		in.	mm	in.	mm	in.	mm	
TSRW 12 BB 3/8	TSLW 12 BB 3/8	3/8	9.5	1	25.4	3 7/16	87.4	TB9
TSRW 16 BB 1/2	TSLW 16 BB 1/2	1/2	12.7	1	25.4	3 17/32	89.6	TB11
TXSRW 16 BB 1/2	TXSLW 16 BB 1/2	1/2	12.7	1 1/2	38.1	4 5/32	105.5	TB11
TXXSRW 16 BB 1/2	TXXSLW 16 BB 1/2	1/2	12.7	2	50.8	4 17/32	115	TB11

INVERTED FLUSH TRIMMING BITS

A handy bit for copy work where the template is between the work and the router.

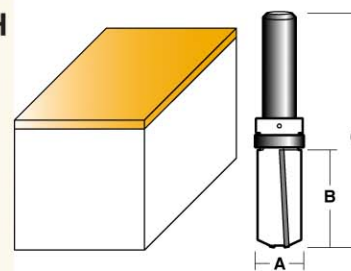
CARBIDE TIPPED - TWO FLUTES WITH BALL BEARING GUIDE
SUFFIX 1/2 = 1/2" SHANK, OTHERWISE 1/4"



PART No.	A		B		C		Bearing No.
	in.	mm	in.	mm	in.	mm	
T 8212 B	3/8	9.5	3/4	19	2-11/64	55	TB 2
T 8216 B	1/2	12.7	3/4	19	2-11/64	55	TB 7
T 8220 B	5/8	15.9	3/4	19	2-11/64	55	TB 14
T 8224 B 1/2	3/4	19	1-1/2	38.1	3-5/8	92.1	TB 4
TX 8224 B 1/2	3/4	19	2	50.8	4-5/32	105.6	TB 4
T 8236 B 1/2	1-1/8	28.6	1-1/2	38	3-1/3	89	TB 18

INVERTED FLUSH TRIM BIT with Down Shear

CARBIDE TIPPED



PART No.	A		B		C		Bearing No.
	in.	mm	in.	mm	in.	mm	
TSH 8224 B 1/2	3/4	19	1-1/2	38.1	3-39/64	91.7	TB 4
TSHX 8224 B 1/2	3/4	19	1-61/64	50	4	101.6	TB 4

