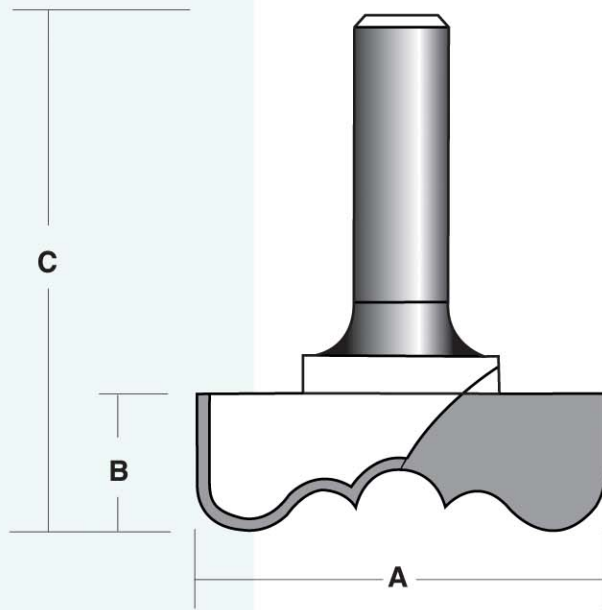


ROSETTE CUTTERS



Make your own quality rosettes in a drill press.
Decorative moulds for enhancing furniture and architectural applications



CARBIDE TIPPED - TWO FLUTES

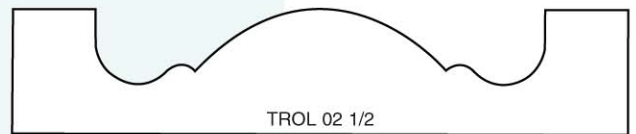
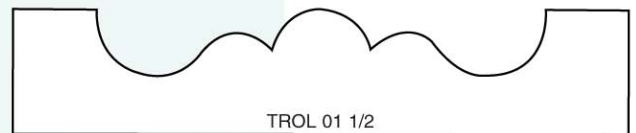
PART No.	A		B		C	
	in.	mm	in.	mm	in.	mm
TRO 01 1/2	2 1/8	54	45/64	18	2 43/64	68
TRO 02 1/2	2 1/8	54	45/64	18	2 43/64	68
TRO 03 1/2	2 1/8	54	45/64	18	2 43/64	68
TROL 01 1/2	2 3/4	70	45/64	18	2 43/64	68
TROL 02 1/2	2 3/4	70	45/64	18	2 43/64	68
TROL 03 1/2	2 3/4	70	45/64	18	2 43/64	68

Important Safety Warning

These tools are drills – For use in drill press only NOT for use in a router.
Maximum RPM 5,000

Recommended RPM

- 1800 Hardwoods
- 3500 Softwoods



SPADE BITS

CARB-I-TOOL SPADE BITS 6" LONG

PART No.	DIAMETER
WSB 6	6 mm
WSB 8	8 mm
WSB 10	10 mm
WSB 12	12 mm
WSB 13	13 mm
WSB 14	14 mm
WSB 16	16 mm
WSB 18	18 mm
WSB 19	19 mm
WSB 20	20 mm
WSB 22	22 mm
WSB 24	24 mm
WSB 25	25 mm
WSB 28	28 mm
WSB 30	30 mm
WSB 32	32 mm
WSB 35	35 mm
WSB 38	38 mm



COUNTERBORE ADAPTOR FOR SPADE BITS

Pat. Pending.

Allows you to convert your standard spade bit into a counterbore tool

PART No.	DIAMETER
WSBCA 3/8	3/8
WSBCA 1/2	1/2
WSBCA 5/8	5/8



Fits most spade bits and enables the spade bit to bore a hole to accommodate the bolt head either flush with, or below the surface of the timber. Pre drill bolt hole to suit counterbore diameter.



SPADE BIT KITS



Part No: WSB-6KIT

Contains 1 of each 6mm, 10mm, 12mm, 16mm, 19mm, 25mm.



Part No: WSB-13KIT

Contains 1 of each 6mm, 8mm, 10mm, 12mm, 13mm, 14mm, 16mm, 18mm, 19mm, 20mm, 22mm, 24mm, 25mm, 6" Extension, Hex Wrench

Part No: WSBEX-6

6" Extension for Spade Bits

Part No: WSBEX-12

12" Extension for Spade Bits

