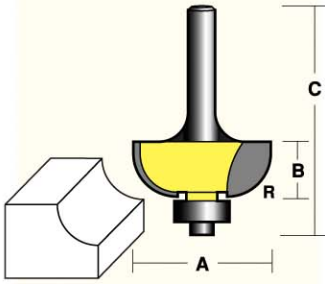


# ECONOCUT ROUTER BITS

FOR THE HANDYMAN/DIY USER

ECONOCUT ROUTER BITS

## COVE BITS



### 6.35 mm (1/4") SHANK

PART No.	A mm	B mm	C mm	RADIUS mm
EY 708 B	22	13	52	6.35
EY 712 B	28.5	12.7	53	9.5
EY 716 B	34.9	15.9	57.1	12.7

### 12.7mm (1/2") SHANK

EY 708 B 1/2	25.4	13	63.5	6.35
EY 712 B 1/2	31.8	12.7	66.7	9.5
EY 716 B 1/2	34.9	15.9	70	12.7

Replacement bearings 1/4" Shank EY B 3  
1/2" Shank EY B 4

## CLASSICAL BITS

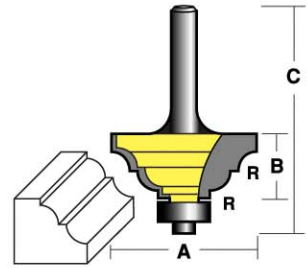
### 6.35 mm (1/4") SHANK

PART No.	A mm	B mm	C mm	RADIUS mm
EY C 8 B	28.5	12.7	50.8	3.2
EY C 12 B	35	15.9	57.1	4.8

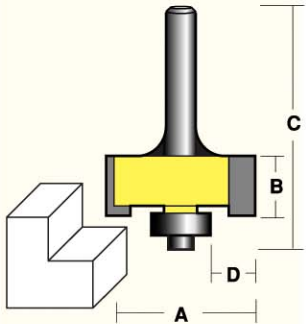
### 12.7mm (1/2") SHANK

EY C 8 B 1/2	28.5	12.7	63.5	3.2
EY C 12 B 1/2	35	15.9	70	4.8

Replacement bearing EY B 4



## REBATING BITS



### 6.35 mm (1/4") SHANK

PART No.	A mm	B mm	C mm	D mm
EY 1708 B	22.2	12.7	53.8	6.35
EY 1712 B	28.5	12.7	53.8	9.5

### 12.7 mm (1/2") SHANK

EY1708 B 1/2	25.4	12.7	63.5	6.35
EY1712 B 1/2	31.8	12.7	63.5	9.5

Replacement bearings 1/4" Shank EY B 3  
1/2" Shank EY B 4

## CHAMFERING BITS 45°

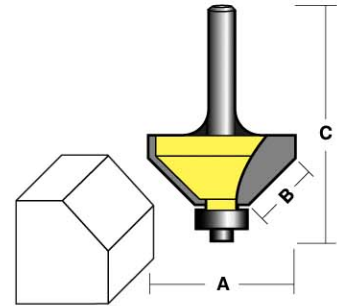
### 6.35 mm (1/4") SHANK

PART No.	A mm	B mm	C mm
EY 916 B	32	15	55

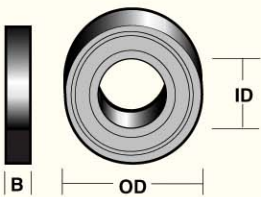
### 12.7 mm (1/2") SHANK

EY 916 B 1/2	32	15	66.7
--------------	----	----	------

Replacement bearing EY B 3



## BEARINGS



PART No.	A mm	B mm	ID mm
EY B 1	16	5	5
EY B 2	9.5	3.2	4.8
EY B 3	9.5	4	3.2
EY B 4	12.7	4.8	4.8

# T-CUT HANDYMAN ROUTER BIT KITS

TUNGSTEN CARBIDE TIPPED

## T-CUT BUDGET KIT

• 12 Pieces • Anti Kickback Design

Wooden Presentation Box

Contains:

- 3 - Straight Bits (6, 12, 16mm)
- 1 - 1/2" Core Box Bit
- 1 - 1/2" V Groove Bit
- 1 - Dovetail Bit
- 1 - 1/2" Flush Trim Bit with bearing
- 1 - 1/4 Cove Bit with bearing
- 1 - 1/4 Rounding Over Bit with bearing
- 1 - 3/8 Rounding Over Bit with bearing
- 1 - 4mm Roman Ogee Bit with bearing
- 1 - 45° Chamfer Bit with bearing

• 1/4" Shank - Part No. TBUD-12



## T-CUT GREENLINE KIT

• 12 Pieces • Anti Kickback Design

Plastic Clamshell Pack

Contains:

- 3 - Straight Bits (1/4", 1/2", 3/4")
- 1 - 1/2" Core Box Bit
- 1 - 1/2" V Groove Bit
- 1 - Dovetail Bit
- 1 - 1/2" Flush Trim Bit with bearing
- 1 - 1/2" Cove Bit with bearing
- 1 - 3/8" Rebating Bit with bearing
- 1 - 1/2" Rounding Over Bit with bearing
- 1 - 1/4" Roman Ogee Bit with bearing
- 1 - 45° Chamfer Bit with bearing

• 1/4" Shank - Part No. TKIT-12  
• 1/2" Shank - Part No. TKIT-12-1/2



See page 34 for Carb-I-Tool Kits

