

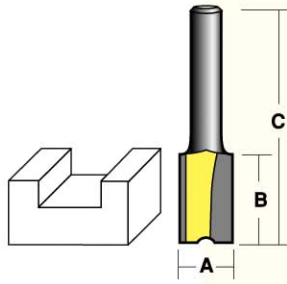
ECONOCUT ROUTER BITS

FOR THE HANDYMAN/DIY USER

STRAIGHT BITS

6.35 mm (1/4") SHANK

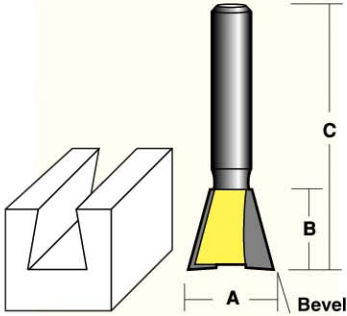
PART No.	A mm	B mm	C mm
EY 206 M	6	16	46.7
EY 208 M	8	20	51.7
EY 210 M	10	20	51.7
EY 212 M	12	20	51.7
EY 213 M	13	20	51.7
EY 216 M	16	20	51.7
EY 218 M	18	20	51.7
EY 219 M	19	20	51.7



12.7mm (1/2") SHANK

PART No.	A mm	B mm	C mm
EY 1406 M	6	16	61.9
EY 1408 M	8	20	63.5
EY 1410 M	10	25.4	66.7
EY 1412 M	12	25.4	66.7
EY 1413 M	13	25.4	66.7
EY 1416 M	16	25.4	66.7
EY 1418 M	18	25.4	66.7
EY 1419 M	19	25.4	66.7

DOVETAIL BITS



6.35 mm (1/4") SHANK

PART No.	A mm	B mm	C mm	BEVEL
EY 1018	14.3	12.7	45	14°

12.7 mm (1/2") SHANK

EY 1018 1/2	14.3	12.7	66.7	14°
-------------	------	------	------	-----

ROMAN OGEE BITS

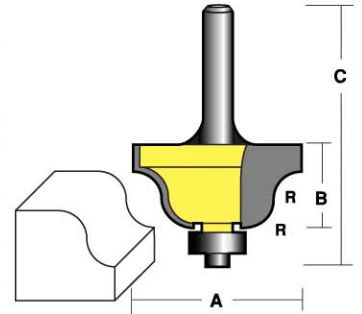
6.35 mm (1/4") SHANK

PART No.	A mm	B mm	C mm	RADIUS
EY 5705 B	25.5	13	52	4
EY 5708 B	34.9	19	60.3	6.35

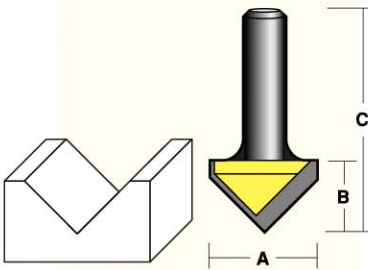
12.7mm (1/2") SHANK

EY 5705 B 1/2	25.5	13	66.7	4
EY 5708 B 1/2	34.9	19	70	6.35

Replacement bearings 1/4" Shank EY B 3
1/2" Shank EY B 4



V. GROOVE BITS



6.35 mm (1/4") SHANK

PART No.	A mm	B mm	C mm
EY 112	12.7	12.7	45

12.7 mm (1/2") SHANK

EY 112 1/2	12.7	12.7	54
------------	------	------	----

OGEE BITS

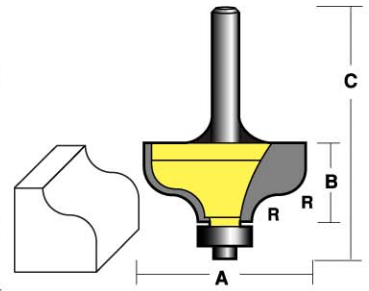
6.35 mm (1/4") SHANK

PART No.	A mm	B mm	C mm	RADIUS
EY 7506 B	36.3	16.5	57.1	4.8
EY 7508 B	41	19	57.1	6.35

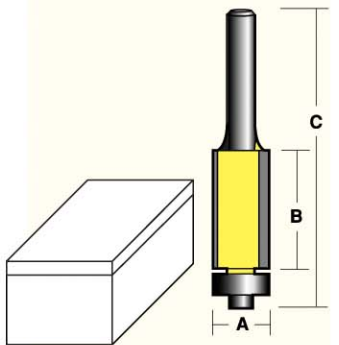
12.7mm (1/2") SHANK

EY 7506 B 1/2	36.3	16.5	66.7	4.8
EY 7508 B 1/2	41	19	70	6.35

Replacement bearings 1/2" Shank EY B 4



FLUSH TRIM BITS



6.35 mm (1/4") SHANK

PART No.	A mm	B mm	C mm	BEARING
EY 8012 B	9.5	12.7	54	EY B3
EY 8016 B	12.7	13	56	EY B4
EY 8020 B	15.8	25.4	67	EY B1

12.7 mm (1/2") SHANK

EY 8012 B 1/2	9.5	25.4	74.6	EY B3
EY 8016 B 1/2	12.7	25.4	79	EY B4
EY 8020 B 1/2	15.8	25.4	79	EY B1

ROUNDING OVER BITS

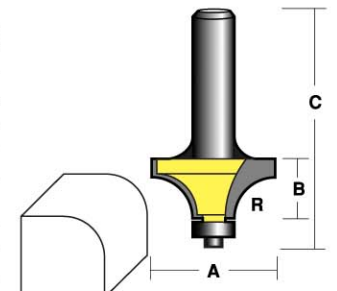
6.35 mm (1/4") SHANK

PART No.	A mm	B mm	C mm	RADIUS
EY 508 B	25.4	13.5	52	6.35
EY 510 B	28.5	15.5	56	7.9
EY 512 B	31.8	16.5	56	9.5
EY 516 B	38.1	19	60.3	12.7

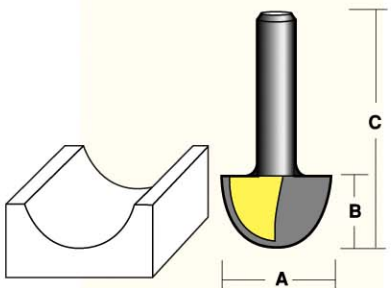
12.7mm (1/2") SHANK

EY 508 B 1/2	25.4	13.5	63.5	6.35
EY 510 B 1/2	28.5	15.5	66.7	7.9
EY 512 B 1/2	31.8	16.5	66.7	9.5
EY 516 B 1/2	38.1	19	70	12.7

Replacement bearing EY B 4



CORE BOX BITS



6.35 mm (1/4") SHANK

PART No.	A mm	B mm	C mm
EY 416	12.7	9.5	40
EY 420	15.8	12.7	45
EY 424	19.0	12.7	47

12.7 mm (1/2") SHANK

EY 416 1/2	12.7	9.5	54
EY 420 1/2	15.8	12.7	54
EY 424 1/2	19.0	12.7	57.1

BEADING BITS

6.35 mm (1/4") SHANK

PART No.	A mm	B mm	C mm	RADIUS
EY 608 B	25.4	13.5	52	6.35
EY 610 B	28.5	15.5	56	7.9
EY 612 B	31.8	16.5	56	9.5
EY 616 B	38.1	19	60.3	12.7

12.7mm (1/2") SHANK

EY 608 B 1/2	25.4	13.5	63.5	6.35
EY 610 B 1/2	28.5	15.5	66.7	7.9
EY 612 B 1/2	31.8	16.5	66.7	9.5
EY 616 B 1/2	38.1	19	70	12.7

Replacement bearing EY B 2

