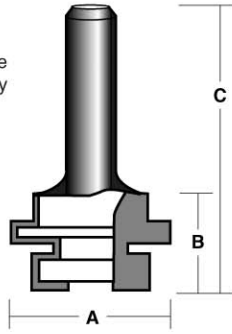
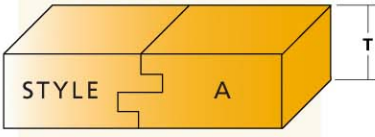


## TONGUE AND GROOVE BITS

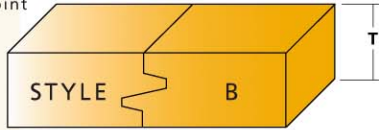
This bit makes professional hard to detect tongue and groove joints. One bit only is required, simply invert second piece of timber for matching joints.



CARBIDE TIPPED - TWO FLUTES  
STYLE A - Tongue & Groove Joint  
**12.7mm (1/2") SHANK**

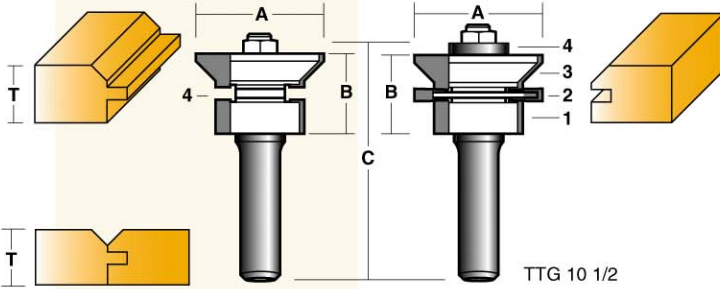
PART No.	A		B		C		T Min.		T Max.	
	in.	mm	in.	mm	in.	mm	in.	mm	in.	mm
TGA 100 1/2	1-3/4	44.5	1-5/32	29.4	3-1/8	79	15/32	12	1-9/64	29

CARBIDE TIPPED - TWO FLUTES  
STYLE B - Tongue & Groove Joint  
**SUFFIX 1/2 = 1/2" SHANK, OTHERWISE 1/4".**



PART No.	A		B		C		T Min.		T Max.	
	in.	mm	in.	mm	in.	mm	in.	mm	in.	mm
TGB 50	1.180	30	63/64	25	2-1/4	57.1	7/16	11.1	7/8	22.2
TGB 50 1/2	1.180	30	63/64	25	2-1/4	57.1	7/16	11.1	7/8	22.2
TGB 100 1/2	1-3/4	44.4	1-5/32	29.4	3-1/4	82	5/8	15.9	1-1/32	27.8
TGB 200 1/2	1-3/4	44.4	2	50.8	4	102	11/16	17.5	1-15/16	49.2

## TONGUE AND GROOVE BIT for wall panel



To cut matching piece remove slotting cutter and add spacer supplied

CARBIDE TIPPED - TWO FLUTES

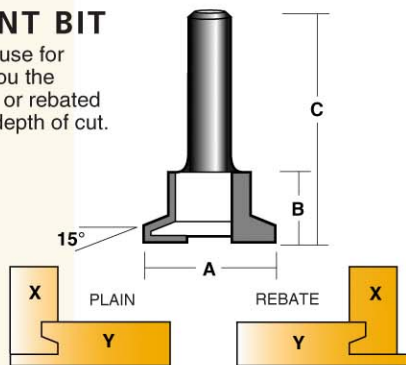
PART No.	A		B		C		T Min.		T Max.	
	in.	mm	in.	mm	in.	mm	in.	mm	in.	mm
TTG 10 1/2	1-5/8	41.3	1	25.4	3-1/8	79.4	15/32	12.0	13/16	20.6
TTGR 10	1-1/8	28.6			Cutter only (1)		10.5 mm			
TTGS 10	1-5/8	41.3			Slot cutter (2)		4.0 mm			
TTGC 10	1-5/8	41.3			Bevel cutter (3)		10.8 mm			
TTGW 10					Spacer (4)					

Replacement Arbor TA19

## DRAWER JOINT BIT

This bit is very easy to use for quick joining. It gives you the option to create a plain or rebated drawer by varying the depth of cut.

WOOD THICKNESS  
MIN.: 10 mm for X  
MIN.: 15 mm for Y

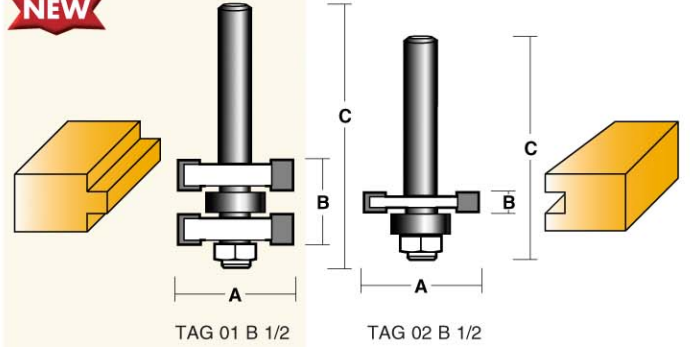


CARBIDE TIPPED - TWO FLUTES  
**12.7mm (1/2") SHANK**

PART No.	A		B		C	
	in.	mm	in.	mm	in.	mm
TGD 35 1/2	1-3/8	35	.768	19.5	2-1/2	63.5

## TONGUE AND GROOVE BITS for floor boards

**NEW**



CARBIDE TIPPED - TWO FLUTES

PART No.	A		B		C	
	in.	mm	in.	mm	in.	mm
TAG 01 B 1/2	-	32.4	1 3/64	26.7	-	82.5
TAG 02 B 1/2	1 5/16	33.4	17/64	6.7	-	63.7
TAGC 01	CUTTER ONLY - TAG 01 B 1/2					
TAGC 02	CUTTER ONLY - TAG 02 B 1/2					

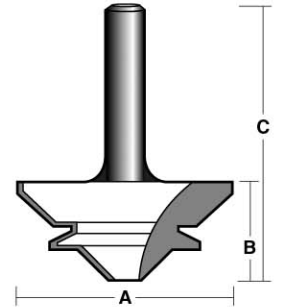
Replacement Ball Bearing TB19

Replacement Arbor TA14 (TAG 01 B 1/2)

Replacement Arbor TA5 (TAG 02 B 1/2)

## MITRE LOCK BIT

Primarily designed for joining material at 90°, however this bit will also produce reasonably strong straight joints. One bit is required. For 90° joints cut second piece of timber at 90° to first piece to produce joint. For straight joints invert the second piece of timber for matching joint.



CARBIDE TIPPED - TWO FLUTES  
**12.7mm (1/2") SHANK**

90° JOINTS

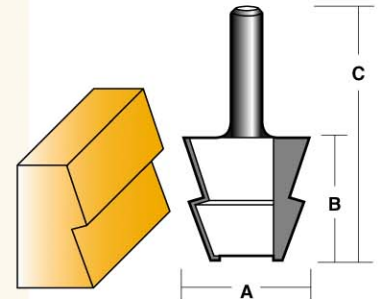


STRAIGHT JOINTS

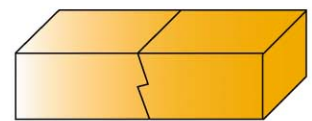
PART No.	A		B		C		T Min.		T Max.	
	in.	mm	in.	mm	in.	mm	mm	mm	mm	mm
TML 60 1/2	2-3/8	60.3	61/64	24.2	3	76	8.7			20

## JOINTING BIT

WOOD THICKNESS  
MIN.: 10 mm  
MAX.: 45 mm



CARBIDE TIPPED - TWO FLUTES  
**12.7mm (1/2") SHANK**



PART No.	A		B		C	
	in.	mm	in.	mm	in.	mm
TGC 100 1/2	1-3/4	44.4	1-7/8	47	3-7/8	98