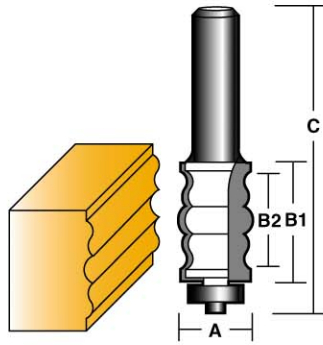


DOUBLE REGENCY BIT

A decorative face mould to highlight the ends of protruding boards such as mantle supports.



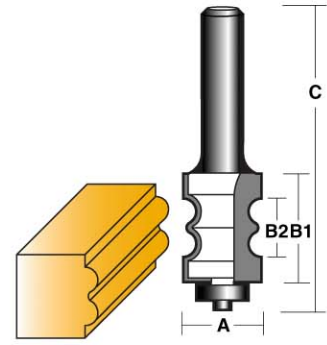
CARBIDE TIPPED - TWO FLUTE WITH BALL BEARING GUIDE
12.7mm (1/2") SHANK

PART No.	A		B1		B2		C	
	in.	mm	in.	mm	in.	mm	in.	mm
TDR 33 B 1/2	3/4	19	1-5/16	33	1	25.4	3-3/8	86

Replacement Ball Bearing TB8.

SINGLE REGENCY BIT

A decorative face mould to highlight the ends of protruding boards such as mantle supports.



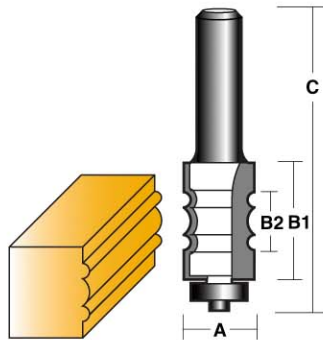
CARBIDE TIPPED - TWO FLUTE WITH BALL BEARING GUIDE
12.7mm (1/2") SHANK

PART No.	A		B1		B2		C	
	in.	mm	in.	mm	in.	mm	in.	mm
TSR 33 B 1/2	15/16	23.5	1-5/16	33	23/32	18.3	3-5/8	92

Replacement Ball Bearing TB8.

SURFACE BEADING BIT

A decorative face mould to highlight the ends of protruding boards, such as mantle supports.



CARBIDE TIPPED - TWO FLUTE WITH BALL BEARING GUIDE
12.7mm (1/2") SHANK

PART No.	A		B1		B2		C	
	in.	mm	in.	mm	in.	mm	in.	mm
TSB 33 B 1/2	3/4	19	1-5/16	33	5/8	15.9	3-3/8	86

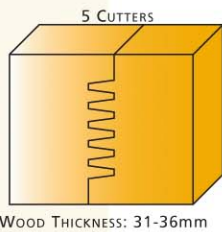
Replacement Ball Bearing TB8.

The range of Carb-I-Tool router bits and associated products, is continually being upgraded to reflect industry requirements. Carb-I-Tool (Aust.) Pty. Ltd. reserves the right to change specifications on existing tools where necessary.

FINGER JOINT BITS

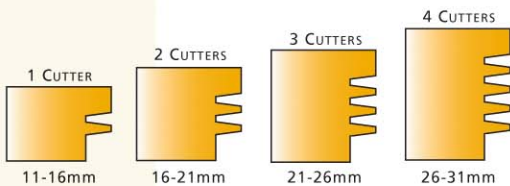
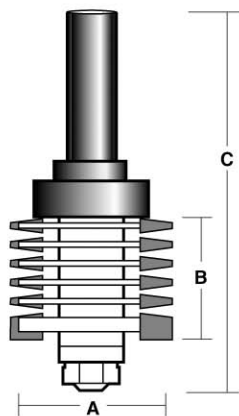
Produces a very strong joint due to the extended glue line.

Supplied with five, finger slot cutters, which are removable allowing for a range of joint thickness.



WOOD THICKNESS: 31-36mm

CARBIDE TIPPED -
12.7mm (1/2") SHANK



WOOD THICKNESS: 11-16mm 16-21mm 21-26mm 26-31mm

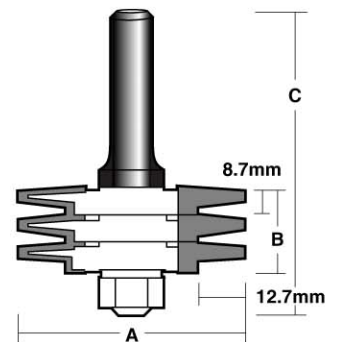
PART No.	A		B		C	
	in.	mm	in.	mm	in.	mm
TAFJ 90 B 1/2		40		30		98.6
TFJS 90		40	Finger Slot Cutter			
TFJE 90		39.6	Abutting Edge Cutter			

Replacement Arbor TA20

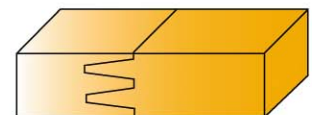
Replacement Ball Bearing TB 3

Designed to join large boards, as well as making spine and scarf, mortise and tenon joints.

Supplied with three, 2-wing cutters as shown, additional cutter may be added if needed. For use with router table.



CARBIDE TIPPED - TWO WING
12.7mm (1/2") SHANK



PART No.	A		B		C	
	in.	mm	in.	mm	in.	mm
TAFJ 60 1/2	2-1/2	63.5	15/16	23.8	3-5/8	92
TFG 60	2-1/2	63.5	11/32	8.7	Cutter only	

Replacement Arbor TA21

