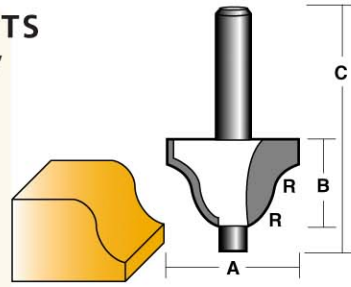


# EDGE FORMING BITS

## ROMAN OGEE BITS

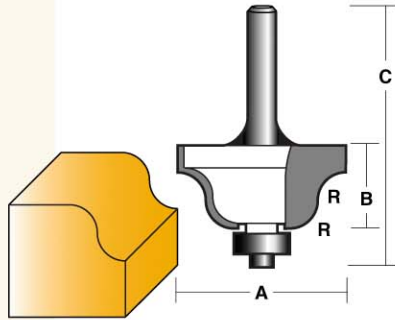
A decorative edge bit for early American furniture making.



TWO FLUTE - WITH PILOT  
**6.35 mm (1/4") SHANK**

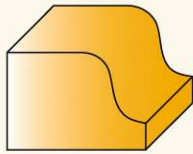
PART No.	A		B		C		R RADIUS	
	in.	mm	in.	mm	in.	mm	in.	mm
HIGH SPEED STEEL								
H 5705	3/4	19	1/2	12.7	1-7/8	47	5/32	4
H 5708	1-1/4	31.8	3/4	19	2	50.8	1/4	6.35
CARBIDE TIPPED								
T 5705	3/4	19	1/2	12.7	1-7/8	47	5/32	4
T 5708	1-1/4	31.8	3/4	19	2	50.8	1/4	6.35

CARBIDE TIPPED - TWO FLUTES WITH BALL BEARING GUIDE  
**SUFFIX 1/2 = 1/2" SHANK, OTHERWISE 1/4"**

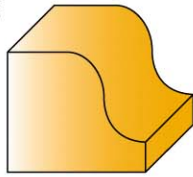


PART No.	A		B		C		R RADIUS	
	in.	mm	in.	mm	in.	mm	in.	mm
T 5705 B	1-1/8	28.6	1/2	12.7	2	50.8	5/32	4
T 5705 B 1/2	1-1/8	28.6	1/2	12.7	2-5/8	67	5/32	4

### ACTUAL SIZE



PART No. T 5705 B1/2



PART No. T 5708 B1/2

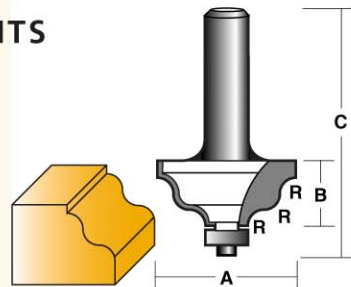
**SUFFIX 1/2 = 1/2" SHANK, OTHERWISE 1/4"**

PART No.	A		B		C		R RADIUS	
	in.	mm	in.	mm	in.	mm	in.	mm
T 5708 B	1-1/2	38.1	3/4	19	2-3/8	60	1/4	6.35
T 5708 B 1/2	1-1/2	38.1	3/4	19	2-3/4	70	1/4	6.35
T 5712 B 1/2	2	50.8	1	25.4	3-3/8	86	3/8	9.5

Replacement Ball Bearing TB11

## DOUBLE OGEE BITS

CARBIDE TIPPED - TWO FLUTE WITH BALL BEARING GUIDE  
**SUFFIX 1/2 = 1/2" SHANK, OTHERWISE 1/4"**

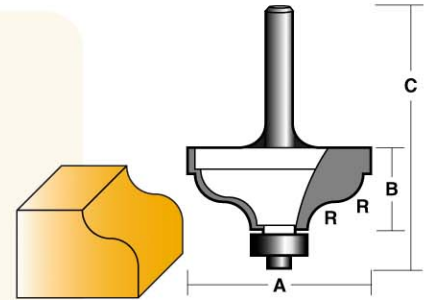


PART No.	A		B		C		R RADIUS	
	in.	mm	in.	mm	in.	mm	in.	mm
TDO 8 B	1-1/4	31.8	.575	14.6	2-3/16	55	1/8	3.2
TDO 8 B 1/2	1-1/4	31.8	.575	14.6	2-5/8	67	1/8	3.2
TDO 12 B 1/2	1-5/8	41	.763	19.4	2-3/4	70	3/16	4.8
TDO 16 B 1/2	2	50.8	.950	24.1	3	76	1/4	6.35

Replacement Ball Bearing TB11

## OGEE BITS

These bits produce a decorative form used widely on table and mantle edges. By fitting the optional TB9 ball bearing a 1/16" edge bead can be produced as illustrated.

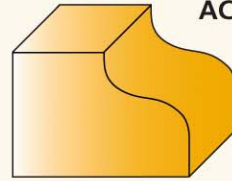


CARBIDE TIPPED - TWO FLUTES WITH BALL BEARING GUIDE

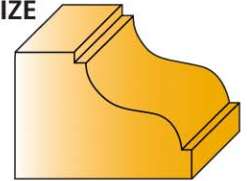
**SUFFIX 1/2 = 1/2" SHANK, OTHERWISE 1/4"**

PART No.	A		B		C		R RADIUS	
	in.	mm	in.	mm	in.	mm	in.	mm
T 7506 B	1-3/8	34.9	0.650	16.5	2-5/16	58.7	3/16	4.8
T 7506 B 1/2	1-3/8	34.9	0.650	16.5	2-25/32	70.7	3/16	4.8

### ACTUAL SIZE



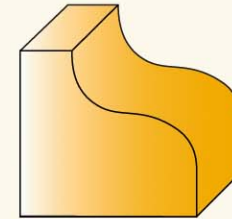
PART No. T7508 B1/2  
TB11 BEARING FITTED



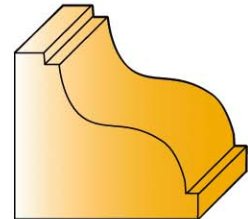
TB9 BEARING FITTED

**SUFFIX 1/2 = 1/2" SHANK, OTHERWISE 1/4"**

PART No.	A		B		C		R RADIUS	
	in.	mm	in.	mm	in.	mm	in.	mm
T 7508 B	1-5/8	41	3/4	19	2-1/4	57.1	1/4	6.35
T 7508 B 1/2	1-5/8	41	3/4	19	2-3/4	70	1/4	6.35



PART No. T7512 B1/2  
TB11 BEARING FITTED



TB9 BEARING FITTED

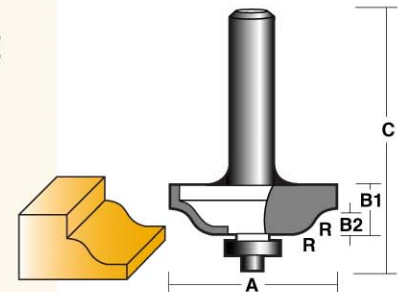
**12.7 mm (1/2") SHANK**

PART No.	A		B		C		R RADIUS	
	in.	mm	in.	mm	in.	mm	in.	mm
T 7512 B 1/2	2-1/8	54	1	25.4	3-3/8	86	3/8	9.5

Replacement Ball Bearing TB11

## SHALLOW ROMAN OGEE BITS

This bit will produce a decorative edge moulding.



CARBIDE TIPPED - TWO FLUTES WITH BALL BEARING GUIDE

**SUFFIX 1/2 = 1/2" SHANK, OTHERWISE 1/4"**

PART No.	A		B1		B2		C		R RADIUS
	in.	mm	in.	mm	in.	mm	in.	mm	mm
TS 5705 B	1-1/4	32	3/8	9.5	5/32	4	2	50.8	4
TS 5705 B 1/2	1-1/4	32	3/8	9.5	5/32	4	2-3/8	60	4
TS 5708 B 1/2	1-5/8	41	7/16	11.1	1/4	6.35	2-1/2	63.5	6.3
TS 5712 B 1/2	2	50.8	9/16	14.3	3/8	9.5	2-5/8	67	9.5

Replacement Ball Bearing TB11.

