

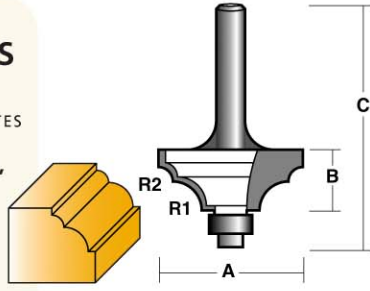
# EDGE FORMING BITS

## DOUBLE BEADING BITS

A decorative edge bead.

CARBIDE TIPPED - TWO FLUTES WITH BALL BEARING GUIDE

SUFFIX 1/2 = 1/2" SHANK, OTHERWISE 1/4"



PART No.	A		B		C		R1 RADIUS		R2 RADIUS	
	in.	mm	in.	mm	in.	mm	in.	mm	in.	mm
TBR 608 B	1-1/4	31.8	17/32	13.3	2	50.8	1/4	6.4	1/8	3.2
TBR 608 B 1/2	1-1/4	31.8	17/32	13.3	2-1/2	63.5	1/4	6.4	1/8	3.2
TBR 616 B 1/2	2	50.8	29/32	22.9	3-1/8	79.4	1/2	12.7	1/4	6.35

Replacement Ball Bearing TB9.

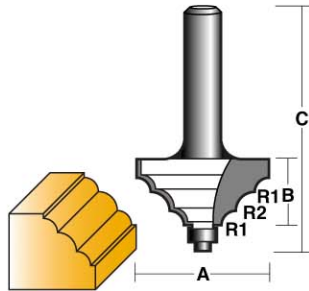
## TRIPLE BEADING BITS

A decorative edge bead.

CARBIDE TIPPED - TWO FLUTES WITH BALL BEARING GUIDE

12.7 mm (1/2") SHANK

Replacement Ball Bearing TB9.



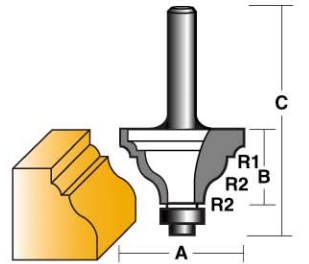
PART No.	A		B		C		R1 RADIUS		R2 RADIUS	
	in.	mm	in.	mm	in.	mm	in.	mm	in.	mm
TT 606 B 1/2	1-3/4	44.4	7/8	22.2	3-1/4	82	3/16	4.8	1/4	6.35
TT 608 B 1/2	2-1/8	54	1-1/16	27	3-1/4	82	1/4	6.35	5/16	7.9

## BEADING OGEE BITS

Produces a decorative edge moulding.

CARBIDE TIPPED - TWO FLUTE WITH BALL BEARING GUIDE

SUFFIX 1/2 = 1/2" SHANK, OTHERWISE 1/4"



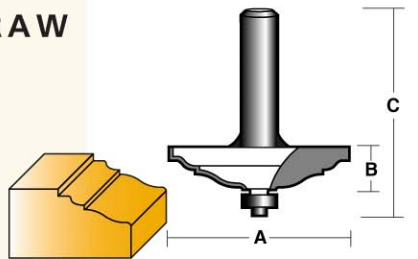
PART No.	A		B		C		R1 RADIUS		R2 RADIUS	
	in.	mm	in.	mm	in.	mm	in.	mm	in.	mm
TBO 30 B	1-1/8	28.6	21/32	16.5	2-1/4	57.1	7/64	2.75	1/4	6.35
TBO 30 B 1/2	1-1/8	28.6	21/32	16.5	2-5/8	67	7/64	2.75	1/4	6.35
TBO 35 B	1-3/8	35	7/8	22.2	2-1/2	63.5	-	3.15	5/16	8
TBO 35 B 1/2	1-3/8	35	7/8	22.2	3	76	-	3.15	5/16	8
TBO 50 B 1/2	1-7/8	47	1-5/16	33	3-3/8	86	3/16	4.75	1/2	12.7

Replacement Ball Bearing TB11.

## EDGE & DRAW FACE BIT

CARBIDE TIPPED - TWO FLUTES WITH BALL BEARING GUIDE

12.7mm (1/2") SHANK



PART No.	A		B		C	
	in.	mm	in.	mm	in.	mm
TEF 01 B 1/2	2.6	66	45/64	18	3	76

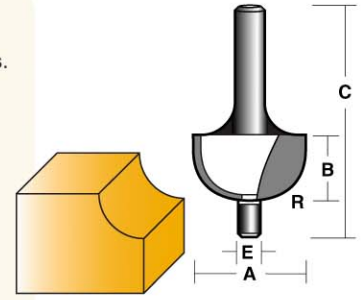
Replacement Ball Bearing TB11.

## COVE BITS

Used for a drop leaf table joints and decorative edges.

E = 4.8mm (3/16")  
TWO FLUTE - WITH PILOT

6.35 mm (1/4") SHANK



PART No.	A		B		C		R RADIUS	
	in.	mm	in.	mm	in.	mm	in.	mm

HIGH SPEED STEEL

H 708	11/16	17.4	1/2	12.7	1-7/8	47	1/4	6.35
H 712	1	25	3/4	19	2	50.8	3/8	9.5
H 716	1-1/4	32	13/16	20.6	2	50.8	1/2	12.7

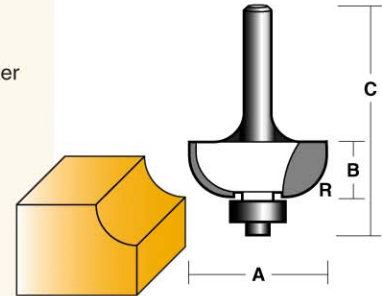
CARBIDE TIPPED

T 706	9/16	14.2	3/8	9.5	1-5/8	41	3/16	4.8
T 708	11/16	17.5	9/16	14.2	1-7/8	47	1/4	6.35
T 712	15/16	24	5/8	15.9	2	50.8	3/8	9.5
T 716	1-3/16	30	13/16	20.6	2	50.8	1/2	12.7

Up, sheer cutting angle clears chips fast for chatter free accurate routing.

CARBIDE TIPPED - TWO FLUTES WITH BALL BEARING GUIDE

SUFFIX 1/2 = 1/2" SHANK, OTHERWISE 1/4"



PART No.	A		B		C		R RADIUS	
	in.	mm	in.	mm	in.	mm	in.	mm
T 702 B	5/8	15.9	5/16	7.9	2-3/32	53	1/16	1.6
T 704 B	3/4	19	1/2	12.7	2-3/32	53	1/8	3.2
T 706 B	7/8	22.2	1/2	12.7	2-3/32	53	3/16	4.8
T 708 B	1	25.4	1/2	12.7	2-3/32	53	1/4	6.35
T 708 B 1/2	1	25.4	1/2	12.7	2-1/2	63.5	1/4	6.35
T 710 B	1-1/8	28.6	1/2	12.7	2	50.8	5/16	7.9
T 710 B 1/2	1-1/8	28.6	1/2	12.7	2-5/8	67	5/16	7.9
T 712 B	1-1/4	31.8	1/2	12.7	2-3/32	53	3/8	9.5
T 712 B 1/2	1-1/4	31.8	1/2	12.7	2-5/8	67	3/8	9.5
T 716 B	1-1/2	38.1	5/8	15.9	2-1/4	57.1	1/2	12.7
T 716 B 1/2	1-1/2	38.1	5/8	15.9	2-3/4	70	1/2	12.7
T 720 B 1/2	1-3/4	44.5	7/8	22.2	3	76	5/8	15.9
T 724 B 1/2	2	50.8	7/8	22.2	3-1/4	82	3/4	19

Replacement Ball Bearing TB11

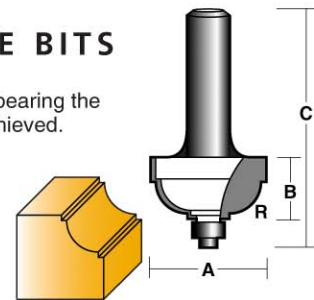
## CLASSICAL COVE BITS

A decorative edge moulding.

By fitting the optional TB11 ball bearing the standard cove design can be achieved.

CARBIDE TIPPED - TWO FLUTES WITH BALL BEARING GUIDE

SUFFIX 1/2 = 1/2" SHANK, OTHERWISE 1/4"



PART No.	A		B		C		R RADIUS	
	in.	mm	in.	mm	in.	mm	in.	mm
TC 708 B	1-1/8	28.6	.530	13.5	2-1/4	57.1	1/4	6.35
TC 708 B 1/2	1-1/8	28.6	.530	13.5	2-1/2	63.5	1/4	6.35
TC 712 B	1-3/8	35	.670	17	2-1/4	57.1	3/8	9.5
TC 712 B 1/2	1-3/8	35	.670	17	2-3/4	70	3/8	9.5
TC 716 B 1/2	1-5/8	41	-	22	3-9/32	83.2	1/2	12.7

Replacement Ball Bearing TB9

